



|              |     |          |  |       |
|--------------|-----|----------|--|-------|
| PROJECT NAME |     | LOCATION |  | AIA # |
| ITEM #       | QTY | MODEL #  |  | SIS # |

# SPEC SERIES®

REACH-IN SOLID SWING DOOR REFRIGERATORS

| models | STR3R-3S | STA3R-3S | STG3R-3S |
|--------|----------|----------|----------|
|--------|----------|----------|----------|

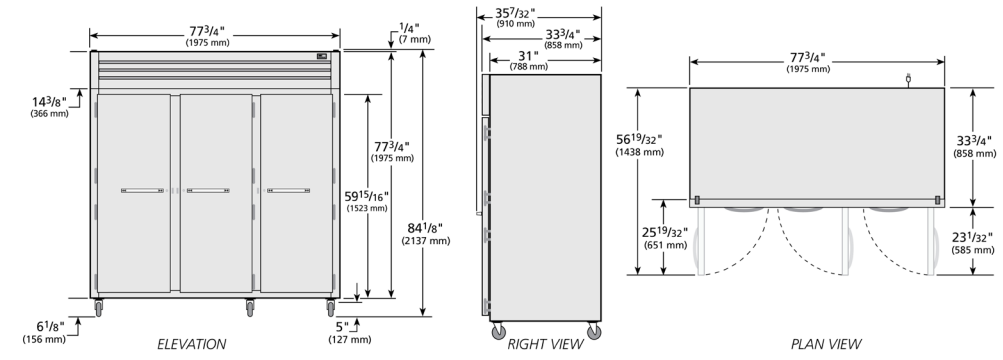


| STR3R-3S        |   |
|-----------------|---|
| <b>Exterior</b> | Stainless steel door, front & sides.                            |
| <b>Interior</b> | Stainless steel side walls, back, floor, door liner, & ceiling. |
| <b>Shelving</b> | (1) Interior kit option included per full section.              |

| STA3R-3S        |   |
|-----------------|---|
| <b>Exterior</b> | Stainless steel door, front & sides.                            |
| <b>Interior</b> | Aluminum side walls & back.<br>Stainless steel floor & ceiling. |
| <b>Shelving</b> | (3) Heavy duty, chrome plated, wire shelves per section.        |

| STG3R-3S        |   |
|-----------------|---|
| <b>Exterior</b> | Stainless steel door, with matching aluminum sides.             |
| <b>Interior</b> | Aluminum side walls & back.<br>Stainless steel floor & ceiling. |
| <b>Shelving</b> | (3) Heavy duty, PVC coated, wire shelves per section.           |

## plan view



## SPECIFICATIONS

| Dimensions  | in.      | mm.           |
|-------------|----------|---------------|
| Length      | 77 3/4   | 1975          |
| Depth       | 33 3/4   | 858           |
| Height      | 77 3/4   | 1975          |
| Electrical  | U.S.     | International |
| Horsepower  | 1/2      | N/A           |
| Amps        | 9.1      | N/A           |
| Voltage     | 115/60/1 |               |
| NEMA        | 5-15P    |               |
| Cord Length | 9 ft.    | 2.74 M.       |

115/60/1 NEMA-5-15R

\* Height does not include 6 1/8" (156 mm) for castors or 6" (153 mm) for optional legs.  
 † Depth does not include 1 1/2" for door handle.

Specifications subject to change without notice.  
 Chart dimensions are rounded up to the nearest 1/8" (millimeters rounded up to the next whole number).

|              |          |         |
|--------------|----------|---------|
| PROJECT NAME | LOCATION | AIA #   |
| ITEM #       | QTY      | MODEL # |
|              |          | SIS #   |

# SPEC SERIES®

REACH-IN SOLID SWING DOOR REFRIGERATOR

|        |          |          |          |
|--------|----------|----------|----------|
| models | STR3R-3S | STA3R-3S | STG3R-3S |
|--------|----------|----------|----------|



## standard features

### REFRIGERATION SYSTEM

- Factory engineered, self-contained, capillary tube system using environmentally friendly (CFC free) 134A refrigerant.
- High capacity, factory balanced refrigeration system that maintains cabinet temperatures of 33°F to 38°F (.5°C to 3.3°C) for the best in food preservation.
- State of the art, electronically commutated evaporator and condenser fan motors. ECM motors operate at higher peak efficiencies and move a more consistent volume of air which produces less heat, reduces energy consumption and provides greater motor reliability.
- Top mounted refrigeration system with evaporator positioned out of food zone to maximize capacity.
- Electronic control.

### CABINET CONSTRUCTION

- Insulation - Entire cabinet structure and solid door are foamed-in-place using a high density, polyurethane insulation that has zero ozone depletion potential (ODP) and zero global warming potential (GWP).
- 5" (127 mm) diameter plate castors - locks provided on front set.

### DOORS

- Lifetime guaranteed bolt style door locks.
- Lifetime guaranteed heavy duty all metal working door handles.

- Positive seal self-closing doors with 120° stay open feature. Lifetime guaranteed external cam lift door hinges, four (4) per door section.
- Magnetic door gaskets of one piece construction, removable without tools for ease of cleaning.

### LIGHTING

- LED interior lighting, safety shielded.

### MODEL FEATURES

- Exterior digital temperature display, available with either °F or °C .
- Evaporator epoxy coated to eliminate the potential of corrosion.
- Curb mounting ready.
- NSF/ANSI Standard 7 compliant for open food product.

### ELECTRICAL

- Unit completely pre-wired at factory and ready for final connection to a 115/60/1 phase, 15 amp dedicated outlet. Cord and plug set included.

### OPTIONAL FEATURES/ ACCESSORIES

*(upcharge & lead times may apply)*

- 6" (153 mm) standard legs.
- 6" (153 mm) seismic/flanged legs.
- 6" (153 mm) stainless steel legs.
- Additional shelves.
- Stainless back. (STR, STA, STG)

### SHELVING KIT OPTIONS

- STR series kits factory installed at no charge. STA & STG series kits field installed, upcharge applies, lead times may apply.
- Kit #1: Nine (9) sets of #1 type tray slides and pilasters (field installed), bottom support of one (1) 18"L x 26"D (458 mm x 661 mm) pan or two (2) 14"L x 18"D (356 mm x 458 mm) pans.
- Kit #2: One (1) set half-section #2 steel rod tray slides and pilasters (field installed), rim support of one (1) 18"L x 26"D (458 mm x 661 mm) pan.
- Kit #3: Six (6) sets of universal type tray slides and pilasters (field installed), bottom support of one (1) 18"L x 26"D (458 mm x 661 mm) pan, two (2) 14"L x 18"D (356 mm x 458 mm) pans or two (2) 12"L x 20"D (305 mm x 508 mm) pans.
- Kit #4: Three (3) chrome shelves 26-5/16"L x 21-9/16"D (669 mm x 548 mm). Optional wall mounted shelf support pilasters (field installed) with four (4) shelf clips per shelf available; adjustable on 1/2" (13 mm) increments (must order at time of cabinet order).
- Additional kit option components available individually.

METRIC DIMENSIONS ROUNDED UP TO THE NEAREST WHOLE MILLIMETER  
 SPECIFICATIONS SUBJECT TO CHANGE WITHOUT NOTICE

|  |            |           |       |      |    |      |
|--|------------|-----------|-------|------|----|------|
|  | Model      | Elevation | Right | Plan | 3D | Back |
|  | ST( )3R-3S |           |       |      |    |      |