



TRUE MANUFACTURING CO., INC.
U.S.A. FOODSERVICE DIVISION

2001 East Terra Lane • O'Fallon, Missouri 63366-4434 • (636)240-2400
 Fax (636)272-2408 • Toll Free (800)325-6152 • Intl Fax# (001)636-272-7546
 Parts Dept. (800)424-TRUE • Parts Dept. Fax# (636)272-9471 • www.truemfg.com

Project Name: _____

Location: _____

Item #: _____ Qty: _____

Model #: _____

A/A #

SIS #

Model:

GDM-15-RTO-HC-LD

Glass Door Merchandiser: Retro Vintage Unit

Swing Door Refrigerator with Hydrocarbon Refrigerant & LED Lighting



Standard Sign



Optional Signs



GDM-15-RTO-HC-LD

- ▶ The world's #1 manufacturer of glass door merchandisers.
 - ▶ Factory engineered, self-contained, capillary tube system using environmentally friendly R290 hydro carbon refrigerant that has zero (0) ozone depletion potential (ODP), & three (3) global warming potential (GWP).
 - ▶ High capacity, factory balanced, refrigeration system holds 33°F to 38°F (.5°C to 3.3°C) for best food preservation in extreme conditions.
 - ▶ Exterior - non-peel or chip powder coated black metal; durable and permanent. (aluminum or black interiors available)
 - ▶ Interior - attractive, NSF approved, white or clear aluminum liner with stainless steel floor. (clear aluminum or black interiors available)
 - ▶ Self closing door. Positive seal, torsion type closure system.
 - ▶ Stainless sign standard. Four (4) sign options available: Stainless, Market Fresh, Cold Drinks, & Wine. Wine sign available in three (3) color options: black, red, & gold.
 - ▶ "Low-E", double pane thermal insulated glass door assembly. The latest in energy efficient technology.
 - ▶ Exclusive perimeter LED lighting provides more even lighting throughout the cooler and produces less heat, resulting in less energy consumption.
 - ▶ Entire cabinet structure is foamed-in-place using a high density, polyurethane insulation that has zero ozone depletion potential (ODP) and zero global warming potential (GWP).
- Bottom mounted units feature**
- ▶ "No stoop" lower shelf to maximize product visibility.
 - ▶ Easily accessible condenser coil for cleaning.

Exterior Color Options



Standard Powder Coated Black Exterior

Optional Powder Coated Silver Exterior

ROUGH-IN DATA

Specifications subject to change without notice.
 Chart dimensions rounded up to the nearest 1/8" (millimeters rounded up to next whole number).

Model	Doors	Shelves	Cabinet Dimensions (inches) (mm)			HP	Voltage	Amps	NEMA Config.	Cord Length (total ft.) (total m)	Crated Weight (lbs.) (kg)
			L	D	H						
GDM-15-RTO-HC-LD	1	5	24 ⁷ / ₈ 632	24 ⁵ / ₈ 626	75 1905	1/8 1/8	115/60/1	2.0 N/A	5-15P	9 2.74	258 117

† Depth does not include 1 1/2" (39 mm) for door handle.



APPROVALS:

AVAILABLE AT:

Model:
GDM-15-RTO-HC-LD

Glass Door Merchandiser: Retro Vintage Unit
Swing Door Refrigerator with Hydrocarbon Refrigerant & LED Lighting



STANDARD FEATURES

DESIGN

- True's commitment to using the highest quality materials and oversized refrigeration systems provides the user with colder product temperatures, and lower utility costs in an attractive merchandiser that brilliantly displays packaged food and beverages.

REFRIGERATION SYSTEM

- Factory engineered, self-contained, capillary tube system using environmentally friendly R290 hydrocarbon refrigerant that has zero (0) ozone depletion potential (ODP), & three (3) global warming potential (GWP).
- High capacity, factory balanced refrigeration system that maintains cabinet temperatures of 33°F to 38°F (.5°C to 3.3°C) for the best in food preservation.
- State of the art, electronically commutated evaporator and condenser fan motors. ECM motors operate at higher peak efficiencies and move a more consistent volume of air which produces less heat, reduces energy consumption and provides greater motor reliability.
- Bottom mounted condensing unit positioned for easy maintenance. "No stoop" lower shelf maximizes visibility by raising merchandised product to higher level.

CABINET CONSTRUCTION

- Exterior - non-peel or chip powder coated black metal; durable and permanent. (silver powder coated exterior available)

- Interior - attractive, NSF approved, white or clear aluminum liner with stainless steel floor. (clear aluminum or black interiors available)
- Insulation - entire cabinet structure is foamed-in-place using a high density, polyurethane insulation that has zero ozone depletion potential (ODP) and zero global warming potential (GWP).
- Welded, heavy duty steel frame rail, black powder coated for corrosion protection.
- Frame rail fitted with leg levelers.

DOOR

- "Low-E", double pane thermal insulated glass door assembly. The latest in energy efficient technology.
- Magnetic door gasket of one piece construction, removable without tools for ease of cleaning.

SHELVING

- Five (5) adjustable, heavy duty PVC coated wire shelves 20⁵/₈" L x 17¹/₂" D (524 mm x 445 mm). Four (4) chrome plated shelf clips included per shelf.
- Shelf support pilasters made of same material as cabinet interior; shelves are adjustable on 1/2" (13 mm) increments.

LIGHTING

- Energy efficient perimeter LED lighting provides brighter more even lighting throughout the cooler and produces less heat, resulting in less energy consumption.

MODEL FEATURES

- Evaporator is epoxy coated to eliminate the potential of corrosion.
- Stainless sign with no cutout standard. Four (4) sign options available: Stainless, Market Fresh, Cold Drinks, & Wine. Wine sign available in three (3) color options: black, red, & gold.
- Convenient clean-out drain built in cabinet floor.
- Patented reversing condensing fan motor.
- Listed under NSF/ANSI Standard 7 for the storage and/or display of packaged or bottled product.

ELECTRICAL

- Unit completely pre-wired at factory and ready for final connection to a 115/60/1 phase, 20 amp dedicated outlet. Cord and plug set included.

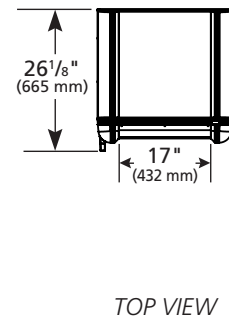
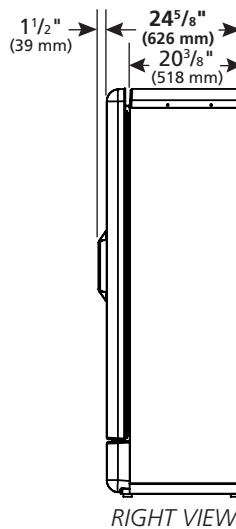
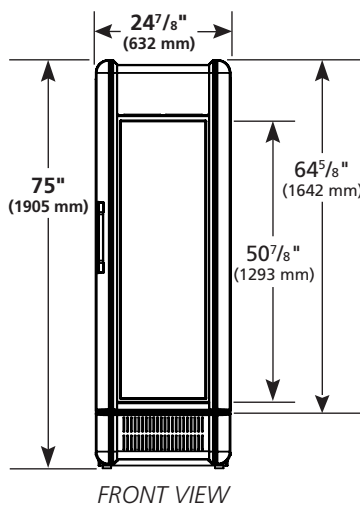


OPTIONAL FEATURES/ACCESSORIES

Upcharge and lead times may apply.

- TrueFlex gravity feed organizers.
- Silver powder coated exterior.
- Clear aluminum interior.
- Black aluminum interior.
- Cold Drinks sign and panel.
- Market Fresh sign and panel.
- Wine sign black.
- Wine sign red.
- Wine sign gold.

PLAN VIEW



WARRANTY
Three year warranty on all parts and labor and an additional 2 year warranty on compressor. (U.S.A. only)

METRIC DIMENSIONS ROUNDED UP TO THE NEAREST WHOLE MILLIMETER
SPECIFICATIONS SUBJECT TO CHANGE WITHOUT NOTICE



Model	Elevation	Right	Plan	3D	Back
GDM-15-RTO-HC-LD					

TRUE MANUFACTURING CO., INC.